

|                   |             |
|-------------------|-------------|
| Uniclass<br>L7522 | EPIC<br>L22 |
| CI/SfB<br>(56.84) | X           |

Available from electric wholesalers and NICEIC engineers



## RADIANT CEILING HEATER SYSTEMS

with Wireless Time and Temperature Control



**All local space heaters manufactured for sale in the EU after 1st January 2018 which use electricity, gaseous or liquid fuels, must comply with a minimum efficiency standard. This includes electric radiators, electric underfloor heating and electric and gas fires.**

**PROUDLY MANUFACTURED IN THE UK**



Radiant heat is directional heat, so radiant panels will project heat in a straight line from the heater and warm anyone or anything in its path whichever direction its pointed in.

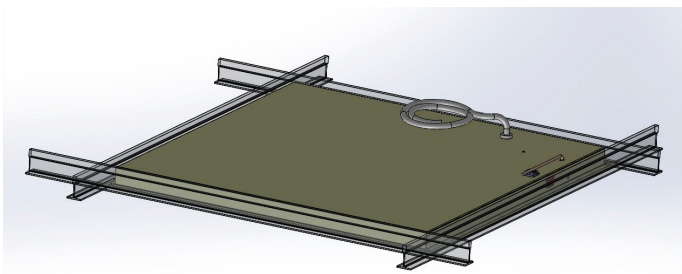
Ceiling radiators will project heat straight down and will warm people under the heaters. Hence the attraction of energy efficient radiant electric heating panels.

# RADIANT LAY-IN GRID CEILING HEATERS

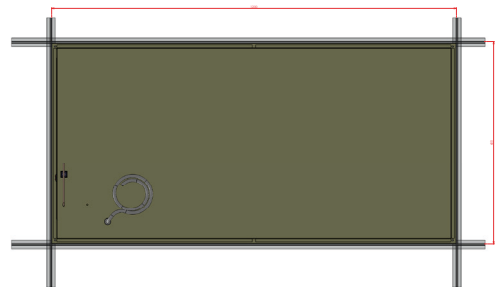


## RADIANT CEILING HEATER SYSTEMS (DEPTH 40mm)

| LINE REF | CODE                                    | DIMENSIONS (H X W X D) MM | ELEMENT (WATTS) |
|----------|---|---------------------------|-----------------|
| 14.2     | ECO 500/80/RP/PC/RX <b>LAY-IN GRID</b>  | 595 x 595 x 40            | 500             |
| 14.3     | ECO 750/80/RP/PC/RX <b>LAY-IN GRID</b>  | 1195 x 595 x 40           | 750             |
| 14.4     | ECO 1000/80/RP/PC/RX <b>LAY-IN GRID</b> | 1785 x 595 x 40           | 1000            |



ECO 500/80/RP/PC/RX  
595x595mm 'Lay-In' Grid



ECO 750/80/RP/PC/RX  
1195x595mm 'Lay-In' Grid



# SUSPENDED RADIANT PANEL SYSTEM



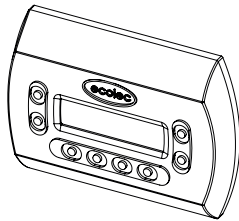
## RADIANT CEILING HEATER SYSTEMS (DEPTH 40mm)

| LINE REF                            | CODE                                  | DIMENSIONS (H X W X D) MM | ELEMENT (WATTS) |
|-------------------------------------|---------------------------------------|---------------------------|-----------------|
| <b>Powder Coated White RAL 9016</b> |                                       |                           |                 |
| 14.5                                | ECO 1000/CE/RP/PC/RX <b>SUSPENDED</b> | 2000 x 500 x 40           | 1000            |
| 14.6                                | ECO 750/CE/RP/PC/RX <b>SUSPENDED</b>  | 1500 x 500 x 40           | 750             |

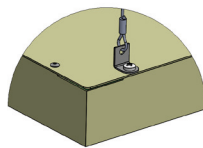
## ACCESSORIES

|       |                          |               |
|-------|--------------------------|---------------|
| 14.21 | Ceiling Fixing Kit CE-01 | 4 x 0.6m each |
|-------|--------------------------|---------------|

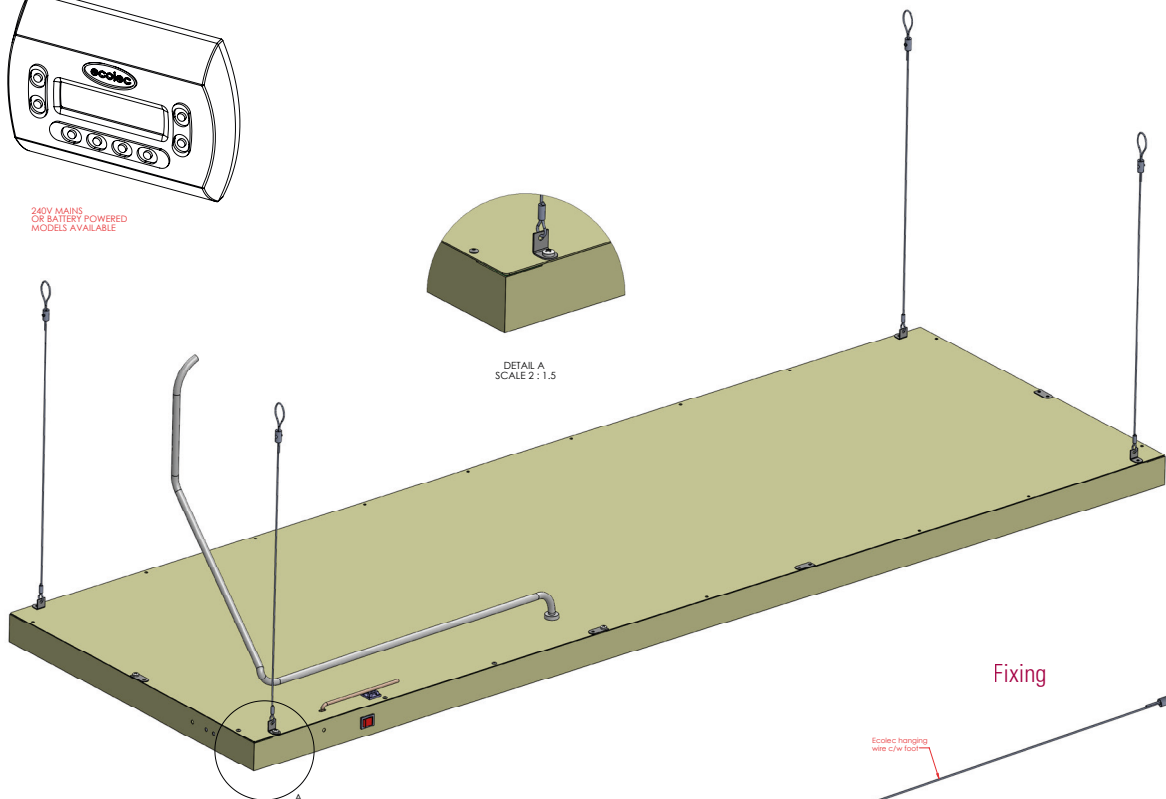
ECOLEC CONTROLLER  
1 CONTROLLER FOR  
MULTIPLE HEATERS  
30m RANGE



240V MAINS  
OR BATTERY POWERED  
MODELS AVAILABLE



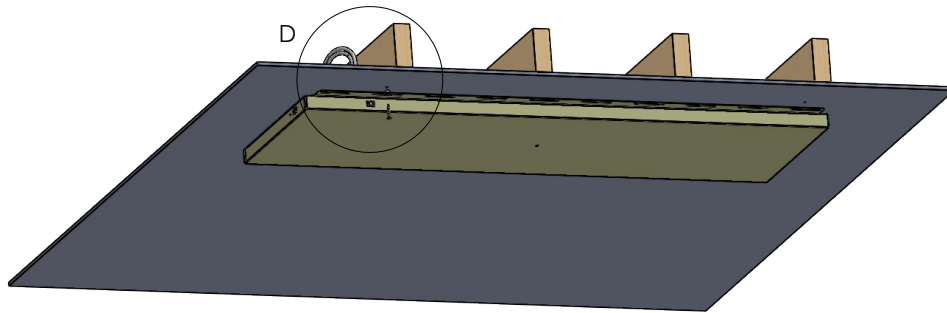
DETAIL A  
SCALE 2:1.5



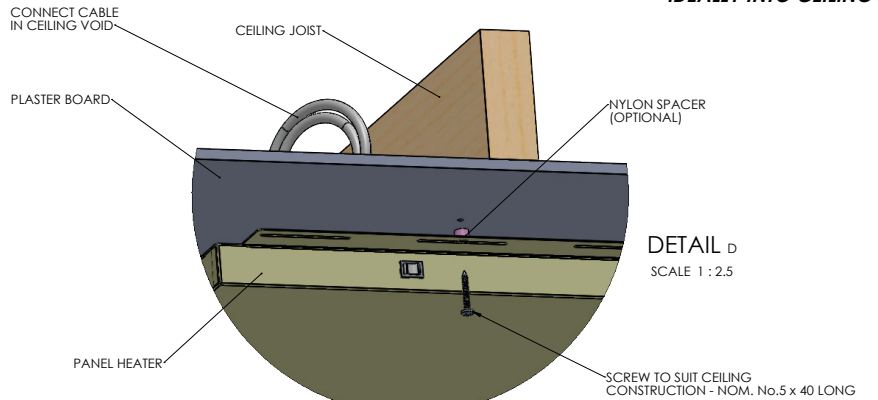
ECO 750X/CE/RP/PC/RX



# CEILING MOUNTED ANTI-LIGATURE OPTIONS



**NOTES ON CEILING INSTALLATION**  
**HEATER MUST BE SECURELY MOUNTED**  
**IDEALLY INTO CEILING JOISTS**



**DETAIL D**  
 SCALE 1 : 2.5

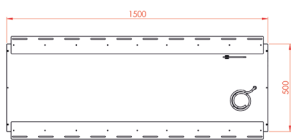
**NOTE. FOR ANTI-LIGATURE APPLICATION**  
**SPECIAL FIXINGS AND APPLICATOR TOOL**  
**CAN BE SUPPLIED**

## RADIANT CEILING HEATER SYSTEMS (DEPTH 40mm)

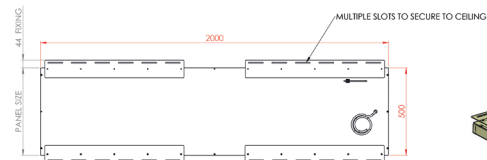
| LINE REF                            | CODE                 | DIMENSIONS (H X W X D) MM | ELEMENT (WATTS) |
|-------------------------------------|----------------------|---------------------------|-----------------|
| <b>Powder Coated White RAL 9016</b> |                      |                           |                 |
| 14.5                                | ECO 1000/CE/RP/PC/RX | 2000 x 500 x 40           | 1000            |
| 14.6                                | ECO 750/CE/RP/PC/RX  | 1500 x 500 x 40           | 750             |

## ACCESSORIES

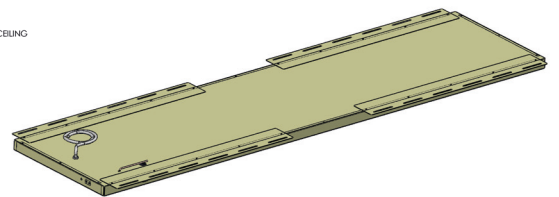
|       |                                      |                   |
|-------|--------------------------------------|-------------------|
| 14.20 | Anti Ligature Plate (x2 Units)w      | 950 x 100         |
| 14.20 | Rear Fixing Plate for Ceiling Joists | CEP-01 (x2 Units) |



ECO 500/CE/RP/PC/RX x2 PLATES



ECO 1000/CE/RP/PC/RX x4 PLATES



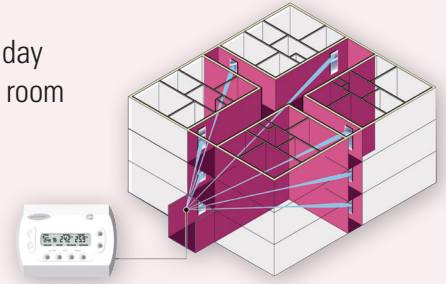
## RADIATOR (RECEIVER) KEY FEATURES:

Simply wire the heater to a fuse spur / Hidden wiring / No need to manually switch heaters "on" or "off"

## WIRELESS CONTROLLER (TRANSMITTER) KEY FEATURES:

Keylock mode / Simple to Programme / Up to 6 temperature settings per day / 7 day clock / Advance mode / Economy mode / Holiday mode / Boost Mode / Inbuilt room temperature sensor / Frost protection / Powered by 2 x 1.5v Alkaline batteries

The TX control unit sends a 433MHz radio signal to each "registered" heater within a radius of 30 metres. Each RX panel heater has an inbuilt receiver designed to respond to a signal from the WCT 100/RX.



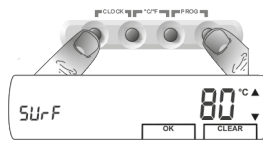
## Battery Kit WCT100, WCT500

### NEW FEATURES!

### SURFACE TEMPERATURE SETTING:



WCT 500/TX/80



Press the two buttons as shown until current surface temperature is display. Then adjust to required temperature using the arrow buttons.

## MK1 230V Mains Kit



## CONTROLLERS

| LINE REF |   | MODEL      | SENSOR | POWER   |
|----------|---|------------|--------|---------|
| 15.1     | REMOTE THERMOSTAT/TIMER                     | WCT 100/TX | AIR    | BATTERY |
| 15.2     | REMOTE THERMOSTAT/TIMER/ SURF TEMP ADJ 70°C | WCT 500/TX | AIR    | BATTERY |
| 15.4     | 230V MAINS KIT FOR WCT 100TX/500TX          | MK1        | -      | MAINS   |

## RAL COLOUR OPTIONS

|  |                      |  |                           |  |                          |
|--|----------------------|--|---------------------------|--|--------------------------|
|  | RAL 9010 PURE WHITE  |  | RAL 6019 PASTEL GREEN     |  | RAL 7047 TELE GREY 4     |
|  | RAL 9001 CREAM       |  | RAL 6034 PASTEL TURQUOISE |  | RAL 9006 WHITE ALUMINIUM |
|  | RAL 1015 LIGHT IVORY |  | RAL 5015 SKY BLUE         |  | RAL 7024 GRAPHITE GREY   |
|  | RAL 1014 IVORY       |  | RAL 5002 ULTRAMARINE BLUE |  | RAL 7016 ANTHRACITE GREY |
|  | RAL 7032 PEBBLE GREY |  | RAL 5008 GREY BLUE        |  | RAL 9005 BLACK           |

Sharrocks Street, Wolverhampton WV1 3RP

Tel: 01902 457575 Email: [info@ecolec.co.uk](mailto:info@ecolec.co.uk) Website: [www.ecolec.co.uk](http://www.ecolec.co.uk)



Hereby, Ecolec Limited, declares that the radio equipment type thermostat and gateway are in compliance with Directive 2014/53/EU. The full text of the EU declaration of conformity is available at the following internet address: [www.ecolec.co.uk/support](http://www.ecolec.co.uk/support)

© Ecolec © Ecolec 1995-2024.  
All rights reserved Ecolec is a registered trademark of Ecolec Limited All specifications subject to change without notice.



Proudly  
Manufactured  
in the UK.

E&O.E